

15A/125V 2-POLE / 2-WIRE POLARIZED REPLACEMENT PLUG (NEMA 1-15P)

INSTALLATION INSTRUCTIONS
OVERVIEW

The Cable Matters 15A/125V 2-Pole / 2-Wire Polarized Replacement Plug terminates an 18-16 AWG cord. Replace broken appliance cord plugs, non-polarized plugs or create a custom-length cord.

! CAUTION

- Installation by a qualified electrician is recommended
- Rated for indoor use only in a dry location
- Use only 18-16 AWG stranded copper cords
- This device is not for grounding use. Connect only to non-grounding circuits

WIRING INSTRUCTIONS - READ BEFORE INSTALLING


1) Turn off the power of any appliance before replacing the plug!

2) Carefully remove the existing plug.

3) Use a wire stripper (not included). Strip back about 0.4 inches of the insulation of each wire and remove any filler.



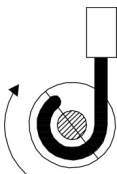
4) Remove the assembly screw and open the replacement plug. Requires a Phillips head screwdriver (not included).

5) Attach each section of exposed copper to the appropriate terminal screw inside: Brass is for the black/hot wire, and silver is for the white/neutral wire.

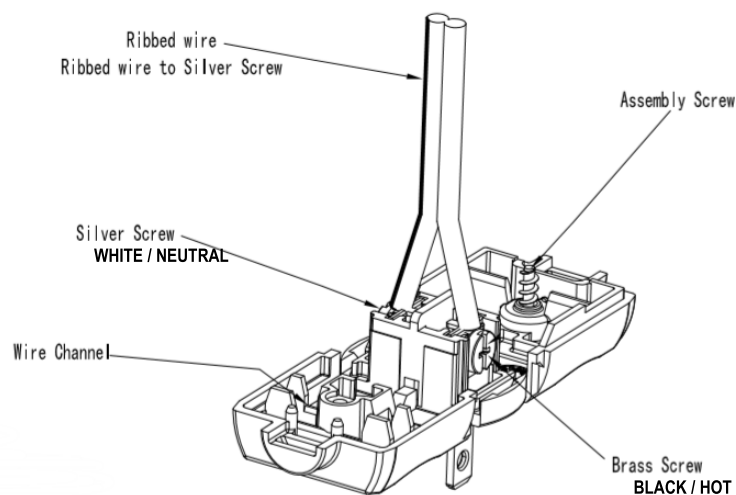


6) Wrap the wire clockwise around the terminal and tighten each screw securely. Check that the insulation is not touching the terminal.

7) Line up the wires through the wire channel. Tug on the wires to check that they are firmly seated.

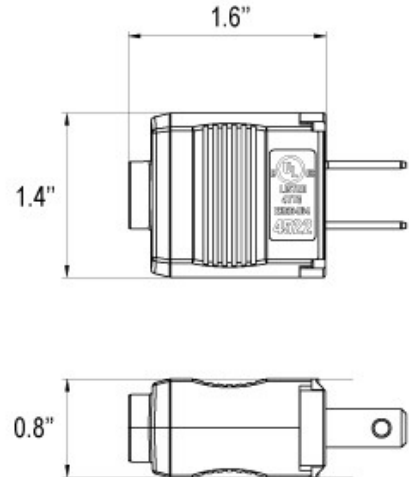


8) Reassemble the replacement plug and tighten the assembly screw. **NOTE: DO NOT** over-tighten the screw!

18-16 AWG STRANDED WIRE ONLY


15A/125V 2-POLE / 2-WIRE POLARIZED REPLACEMENT PLUG**TECHNICAL SPECIFICATIONS**

- Electrical Rating: 15Amp/125Volt 1875W
- NEMA 1-15P Polarized, Straight-Blade, Non-Grounding
- 2 Pole / 2 Wire
- Residential Grade / Indoor Use
- Cord Compatibility: 18-16 AWG SPT-1&2 Stranded Wire
- Compliance: UL Listed
- Housing Dimensions (from outlet): 1.6x1.4x0.8 Inches (LxWxH)
- Warranty: Limited One-Year

**IMPORTANT NOTES:**

Fire risk! Do not exceed the electrical rating.
Do not use solid wire, only stranded wire cords
Specifications are subject to change without notice

Package Contents

3x 15A/125V Polarized Receptacle Plug
1x Instruction Sheet

Copyright and Trademarks

Cable Matters is a registered trademark or trademark of Cable Matters Inc. All rights reserved. All other trademarks are the property of their respective owners.

Limitation of Liability

In no event shall Cable Matters Inc. (including their officers, directors, employees or agents) be liable for any damages (whether direct or indirect, special, punitive, incidental, consequential, or otherwise), loss of profits, loss of data, loss of business, or any pecuniary loss, arising out of, or related to the use of this product exceeding the actual price paid for the product (as allowed by state law).

Warranty Information

This product is backed by a limited one-year warranty. The warranty covers parts and labor costs only. Cable Matters does not warrant its products from defects or damages arising from misuse, abuse, or normal wear.

Customer Support and Contact Information

Cable Matters offers lifetime technical support as an integral part of our commitment to provide industry leading solutions.

Contact us at wholesale@cablematters.com for large volume discount pricing.

Contact support@cablematters.com with any questions